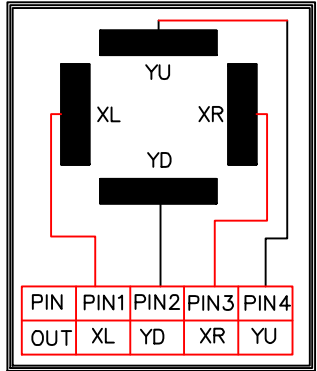


Version	MARK	MODIFY	DATE
2.0	A	FPC	20090713

Thick: 1.4±0.15



Front ITO film 0.188mm  
hard coating anti newton ring  
Back ITO glass 1.1mm

FPC 88.5±1

PITCH 2.54

- 9. Film Thickness: 0.188mm
- 10. Glass Thickness: 1.1mm
- 11. Light transmission: ≥78%
- 12. Force: 100g or more
- 13. Linearity: ≤1.5%
- 14. Insulation: ≥20MΩ
- 15. Resistance: X: 410Ω~700Ω;  
Y: 220Ω~380Ω
- 16. Surface Hardness ≥3H(pencil)

- Instruction:
1. Type: Film to Glass
  2. Operating Voltage: ≤10V
  3. Response Time: ≤10ms
  4. Storage Temperature: -20℃~+70℃
  5. Operation Temperature/Humidity: -10℃~+60℃/ 20%~95%
  6. Hitting Life: >1,000,000 Times, 250gf Force;
  7. Writing Life: >100,000 Times, 250gf Force;
  8. Connect Material: FPC+PIN

Touch-Pane-VTW4080A0

REVISIONS					
SCALE	1:1	MATERIAL	F/G	Version	1.0
UNIT	mm	TOLERANCE	±0.3m	NO.	1 of 1
DESIGN	Jaka	DATE	20090505	 深圳市伟拓光技术有限公司 Vietar-touch Technology Co., LTD. 0755-23222222 0755-23222222 www.vietar-touch.com	
CHECK	peter • 11	DATE	20090505		
RELEASE	J	DATE	20090505		